

Mobile X-ray Equipment

JADE

October, 2018

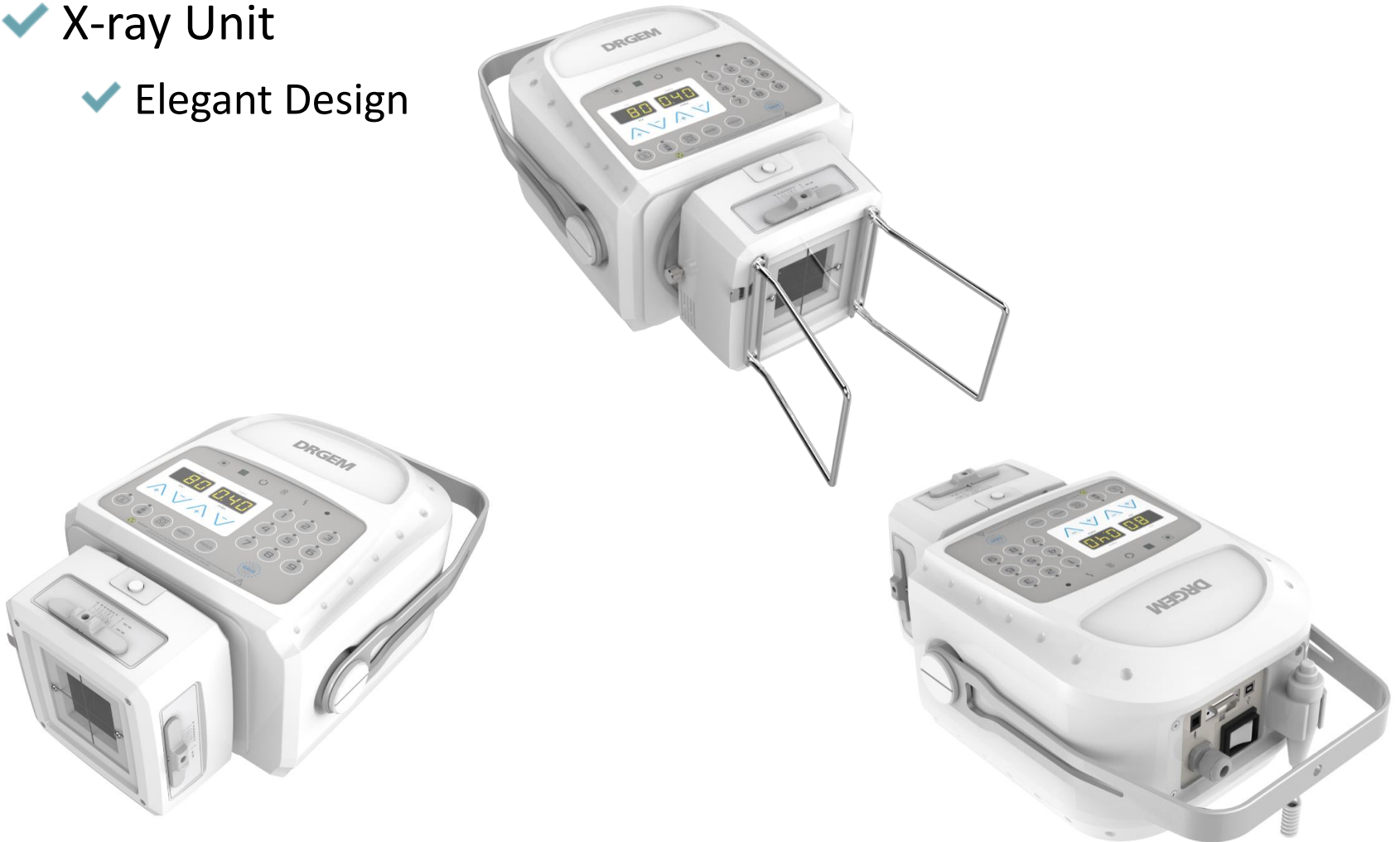
DRGEM Corporation

Contents

- 1 Introduction
- 2 Specifications

1 Introduction

- ✓ X-ray Unit
- ✓ Elegant Design



1 Introduction

✓ X-ray Unit

- ✓ 100kHz High Frequency X-ray Switching
- ✓ 120kV, 100mA, 250mAs, 4kW output
- ✓ Dual Focus: 0.5/1.5mm
- ✓ High Anode Heat Storage: 56kHU
- ✓ Free Voltage Input



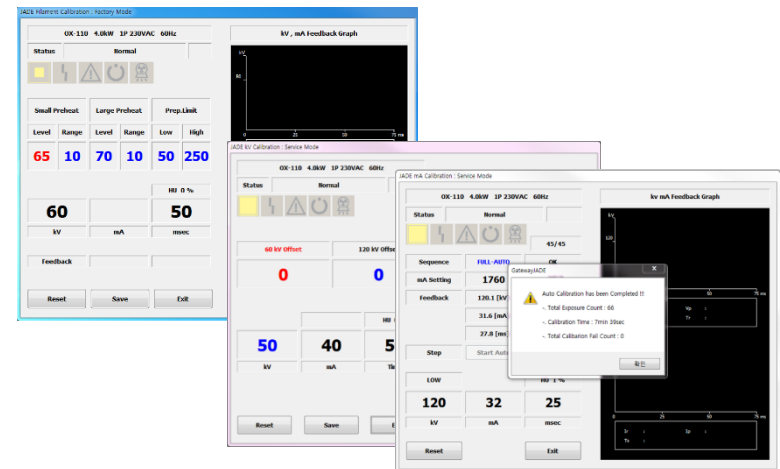
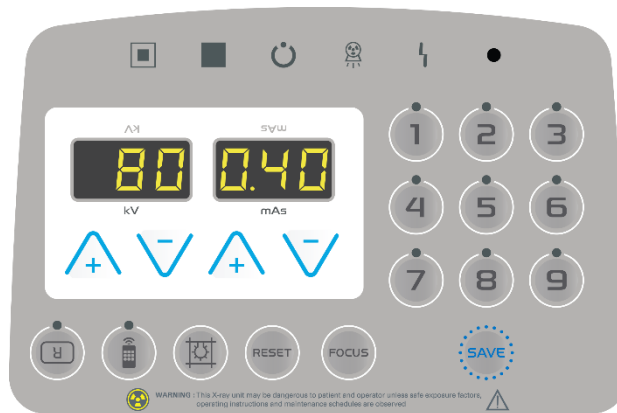
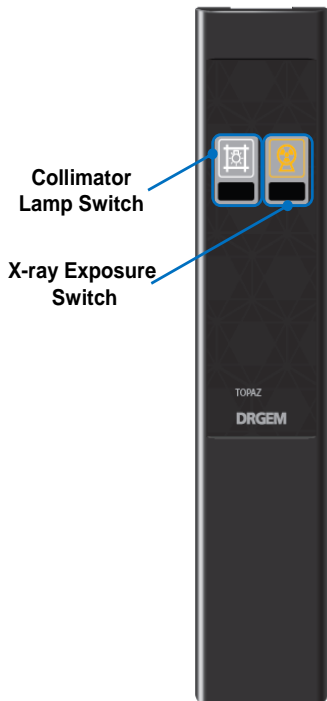
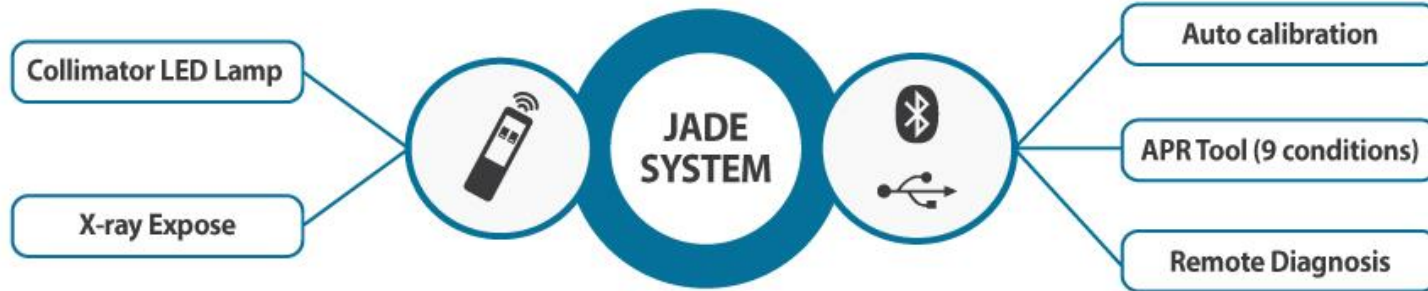
- ✓ Smooth X-ray field control by sliding knobs

✓ LED Light

✓ Focus-Skin Spacer

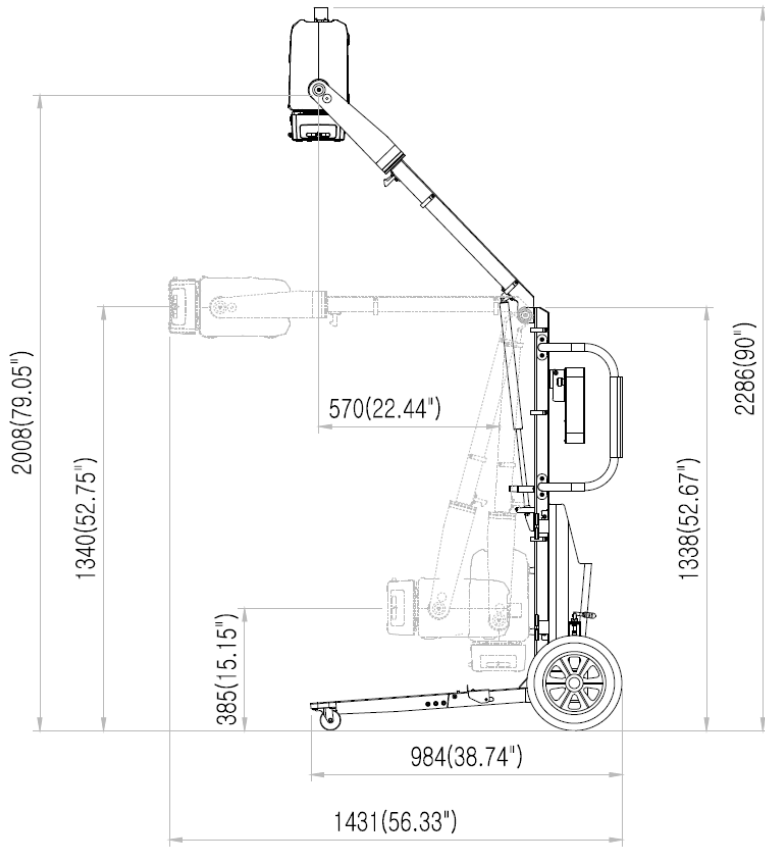
1 Introduction

✓ X-ray Unit



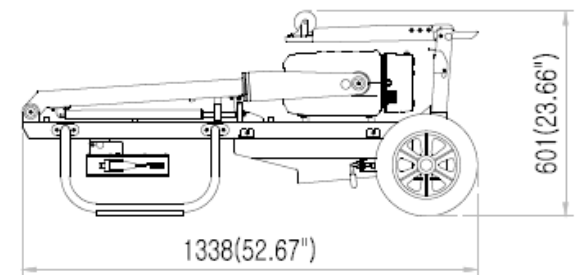
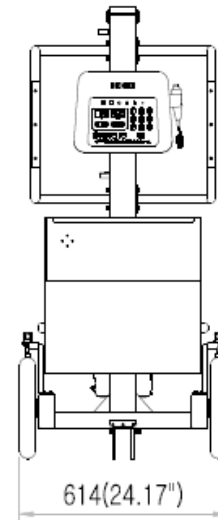
1 Introduction

- ✓ Integrated Mobile Unit
- ✓ Covers wide X-ray range



1 Introduction

- ✓ Integrated Mobile Unit
- ✓ Foldable design for convenient carriage



Unit: mm(inch)

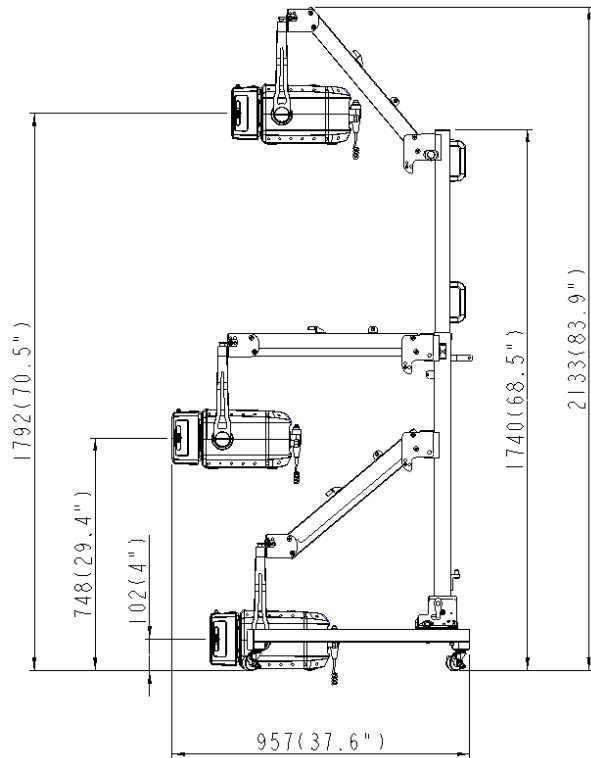
1 Introduction

- ✓ Integrated Mobile Unit
 - ✓ Additional Console on mobile unit
 - ✓ Support all controls of X-ray unit



1 Introduction

- ✓ X-ray Unit with Portable Stand
- ✓ Covers wide X-ray range

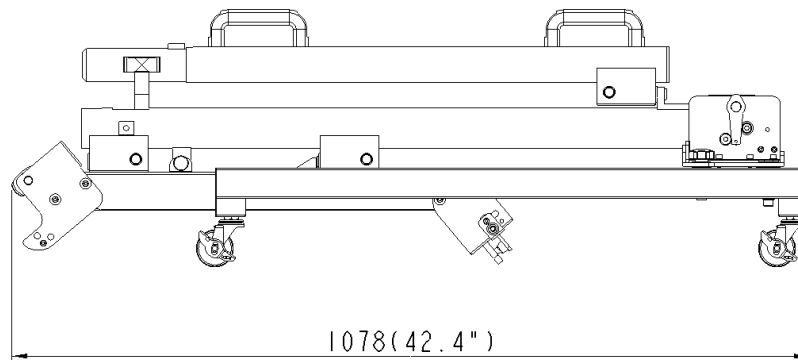
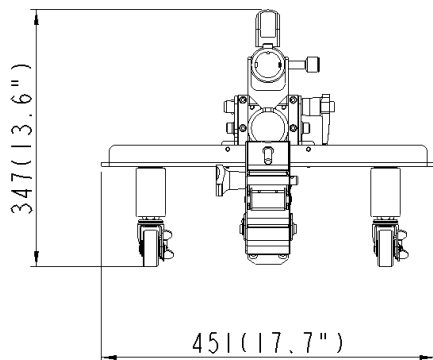
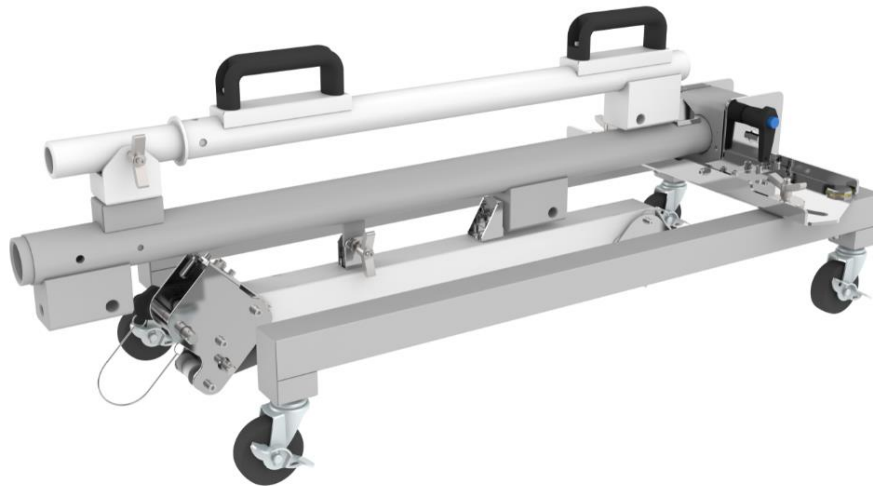


Unit: mm(inch)



1 Introduction

- ✓ Portable Stand
- ✓ Foldable design for convenient carriage



Unit: mm(inch)

1 Introduction

- ✓ X-ray unit Carrier
 - ✓ Perfect X-ray unit Protection
 - ✓ Convenient moving



2

Specifications

✓ X-ray unit

Model	JADE-32	JADE-40
Input Power	100 – 240V~ (Free voltage input), 50/60Hz	110 – 240V~ (Free voltage input), 50/60Hz
Output Rating	Max. 3.2 kW (40mA@80kV, 32mA@100kV, 25mA@120kV)	Max. 4 kW (50mA@80kV, 40mA@100kV, 32mA@120kV)
Type	Microprocessor controlled High Frequency inverter	
KV Range	40 ~ 120 KV, 81Step(1KV Step)	
mA Range	10 ~ 80 mA, 10Step(10, 12.5, 16, 20, 25, 32, 40, 50, 64, 80mA)	10 ~ 100 mA, 11Step(10, 12.5, 16, 20, 25, 32, 40, 50, 64, 80, 100mA)
Exposure Time	0.01 ~ 10 seconds, 21Step (in 25% Steps)	
mAs Range	0.1 ~ 250 mAs, 35Step(in 25% Steps)	
X-ray Tube Type	Stationary Anode	
Focal Spot Size (Small / Large)	0.5 / 1.5 mm	
Anode Heat Storage Capacity	56,000HU(40,000 J)	
Power Cord Length	5 m	
Exposure Hand-switch Cord Length	5 m(Max. Length)	
X-ray switching frequency	100 kHz	
Control	2 Point Control (kV, mAs)	
Control Display	LED (7-seg display & indicators)	
Anatomical Programs	Preprogrammed 9 APR data – User Programmable	
External Interface	USB, Bluetooth(Optional), DR Interface(Optional)	
Max. input Power Rating	25 A @ 240 V~, 35 A @ 100 V~	24 A @ 240 V~, 34 A @ 110 V~
Weight	15.5kg(34.1lb)(Include Collimator)	

2 Specifications

✓ Collimator

Model	KM1
Manufacturer	DRGEM
Control	Manual with 15, 30, 45, 60sec. lamp timer
Field Shape	Rectangular
Max. Field Size	44x44cm (at 100cm SID)
Leakage Radiation	Less than 40mR/hr.
Max. kVp shield	150kV
Inherent Filtration	2.0mmAl eq.
Luminosity	Over 160LUX at 100cm SID
Light source	19W LED
Standard	Rotating flange
Option	Tape measure(Max. 200cm)
Electrical Rating	12 – 45VDC, 20W
Dimension / Weight	172(W) x 172(D) x 97(H) mm / 2.5kg(5.5lb)

2 Specifications

✓ Mobile Unit

Model		JMS-1
External Console	Control	2 Point Control (kV, mAs)
	Control Display	LED (7-seg display & indicators)
	Supported Function	APR1~9 select & Save, Collimator Lamp, Focus selection, Infrared remote controller Enable
	Exposure Hand-switch Cord	5 m (Max. Length), without Mobile X-ray unit
Maximum Focus to Floor		2008mm
Minimum Focus to Floor		385mm
Maximum Dimension		614(w) x 984(D) x 2286(H) mm
Minimum Dimension		614(w) x 601(D) x 1338(H) mm
Weight		54kg(119lb) (Include Mobile X-ray Unit, Collimator)

2 Specifications

✓ Portable Stand

Model	JPS-1
Maximum Focus to Floor	1800mm
Minimum Focus to Floor	102mm
Maximum Dimension	1098(w) x 957(D) x 2133(H) mm
Minimum Dimension	451(w) x 1078(D) x 347(H) mm
Stand Weight	23kg (Potable Stand)
Total Weight	38kg (Potable Stand, Potable Unit)